

SMLM-8100/8200 125 KHz RFID Tags For Use On Metal

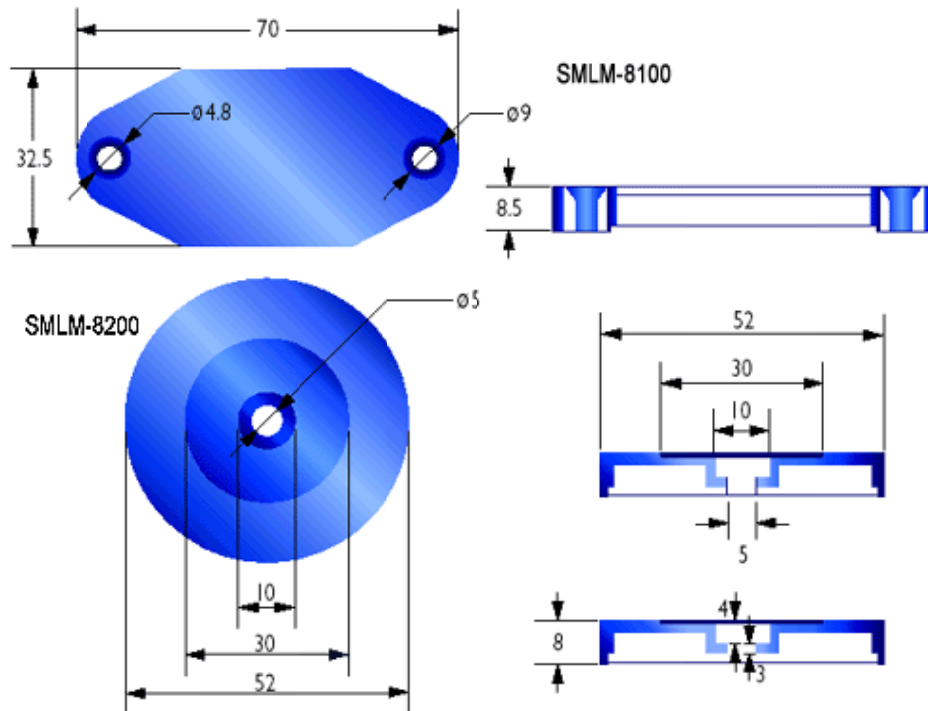
<u>Tag Type</u>	<u>Material</u>	<u>Dimensions</u>	<u>Size</u>	<u>Read Distance</u>
SMLM-8100	ABS + PC	70x32.5 mm	8.5 mm	50 mm
SMLM-8200	ABS	Ø 52 mm hole Ø 5 mm	8 mm	60 mm

- Read distance on metal: Using GK4001 chip with EM9917 reader
- Waterproof (IP66)
- Storage temperature: -40C to 80C
- Operating temperatures: -40C to 70C

Available IC's

- GK 4001 (125KHz, 64bit,R/O)
- H4102 (125KHz, 64bit,R/O)
- Temic E5557 (125KHz,330bit,R/W)
- Hitag 1 (125KHz,2048bit,R/W)
- Hitag 2 (125KHz,256bit,R/W)

Dimensions



Visit us at www.synometrix.com or email us at info@synometrix.com