

# Flap, EAR 203 RFID Ear Tags



## FLAP, EAR203 RFID Ear Tag Specification

- ▶ Operating temperature: -25 to 85 Degrees Celsius
- ▶ Storage temperature: -40 to 125 Degrees Celsius
- ▶ Write endurance: 1,000,000 cycles
- ▶ Material: Polyurethane UV stable
- ▶ Memory retention: 20 years
- ▶ Anti Collision: Yes
- ▶ Waterproof: Yes

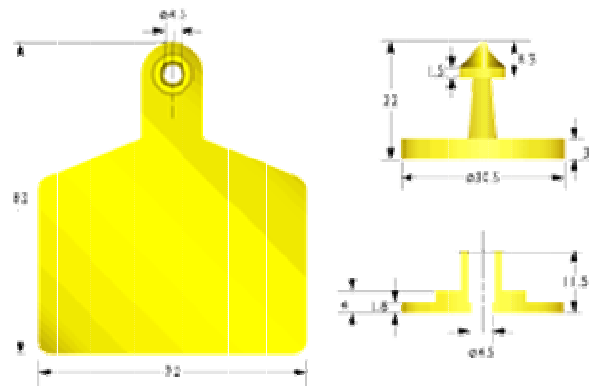
## SYNO Tag | RFID™

100~150 KHz ISO 11784/5 and 13.56 MHz Passive RFID animal ear tags with operating temperature range of -25 C ~ 85 C. Suited for use with cattle, sheep, pigs and other livestock for RFID management and scientific testing applications.

### Available IC's

- ▶ EM4005 (100~150 KHz, 128 bit, R/O ISO standard 11784/11785)
- ▶ I-Code (13.56 MHz, 512 bit, R/W, ISO 15693 & ISO/IEC 15693)

### Dimension: (unit: mm)



GPS | RFID | BIOMETRICS | INDUSTRIAL HANDHELD | BUY DIRECT



Visit us at [www.synometrix.com](http://www.synometrix.com) or email us at [info@synometrix.com](mailto:info@synometrix.com)

For further information please contact:

John Hannon, Managing Director

SYNO METRIX | Asia Pacific Taipei, Taiwan

IDD: +886 2 2758 1279