



SYNOtag™ | Passive

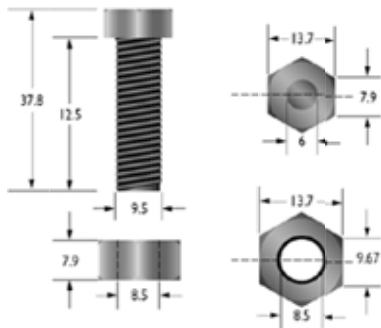
SM-816 Nut & Bolt RFID Tags

IP 67 Passive 125 KHz or 13.56 MHz bolt on RFID tags with operating temperature of -40C ~ +70C. Suitable for any application where a through hole RFID tag in this form-factor is used with read distance up to 50 mm (depends on reader).

Specification

- Dimensions: 37.8mm x 13.7mm
- Material: Nylon
- Colours: Black/Blue/Yellow/Red

Dimensions



Available IC's

- GK4001 (125 KHz, 64bit, R/O)
- H4102 (125 KHz, 64 bit, R/O)
- Temic e5557 (125 KHz, 256 bit, R/W)
- Hitag 1 (125 KHz, 2048 bit, R/W)
- Hitag 2 (125 KHz, 256 bit, R/W)
- I-Code (13.56 MHz, 512 bit, R/W, ISO 15693 & ISO/IEC 15693)



Product Warranty: SYNOMETRIX offers a standard 1 year repair or replace warranty from date of shipping on all products found to have a defect that results from manufacturing.

SM-816 RFID Bolt Tag

SYNOtag™ | RFID

Visit us at www.synometrix.com or email us at info@synometrix.com

For further information please contact:
John Hannon, Managing Director
 SYNOMETRIX | **Asia Pacific** Taipei, Taiwan
 IDD: +886 2 2758 1279